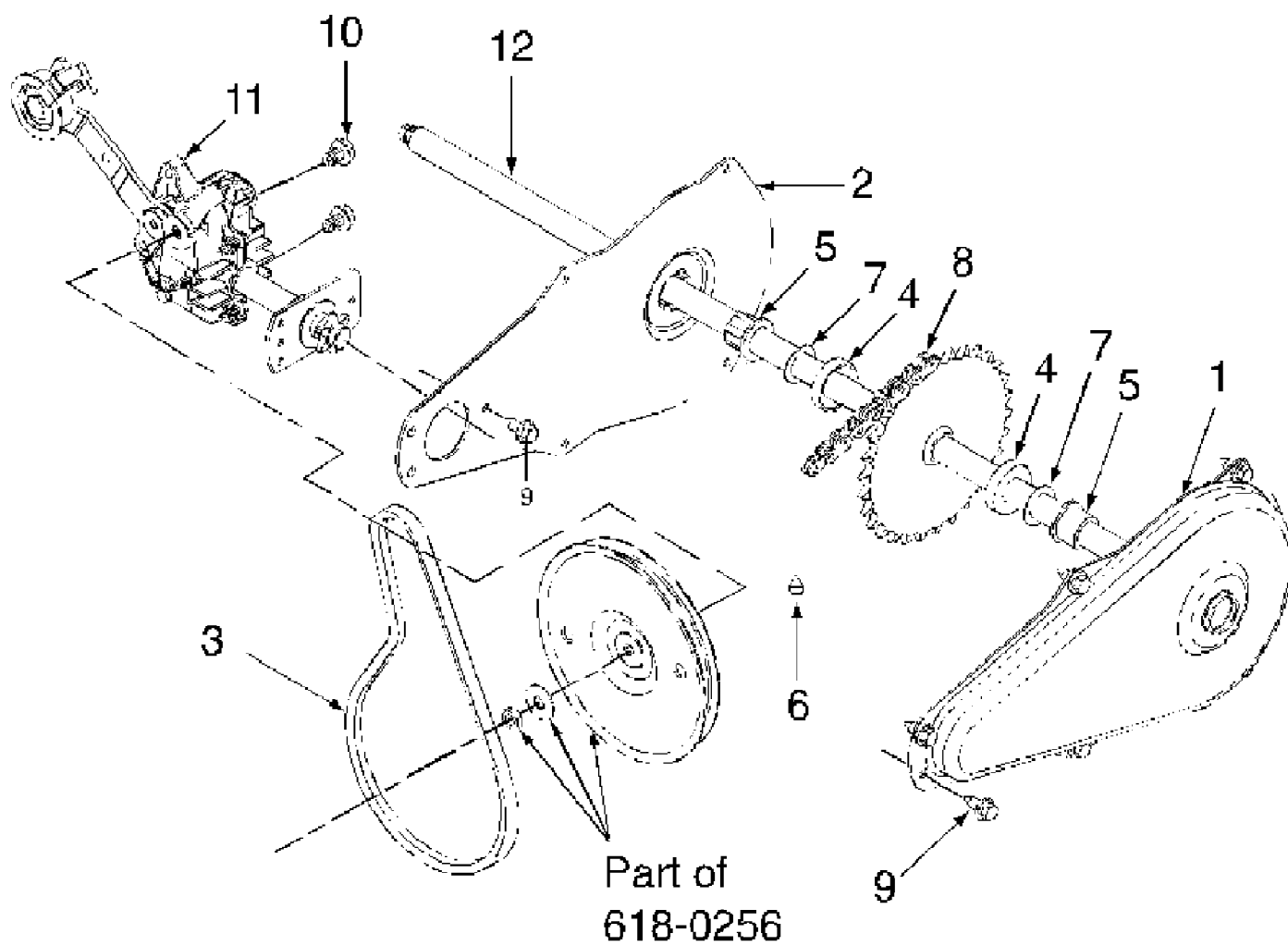


24A-203B190 Yard Boss 550 (1998)
Bracket Assembly, Front Wheel

Page 2 of 20

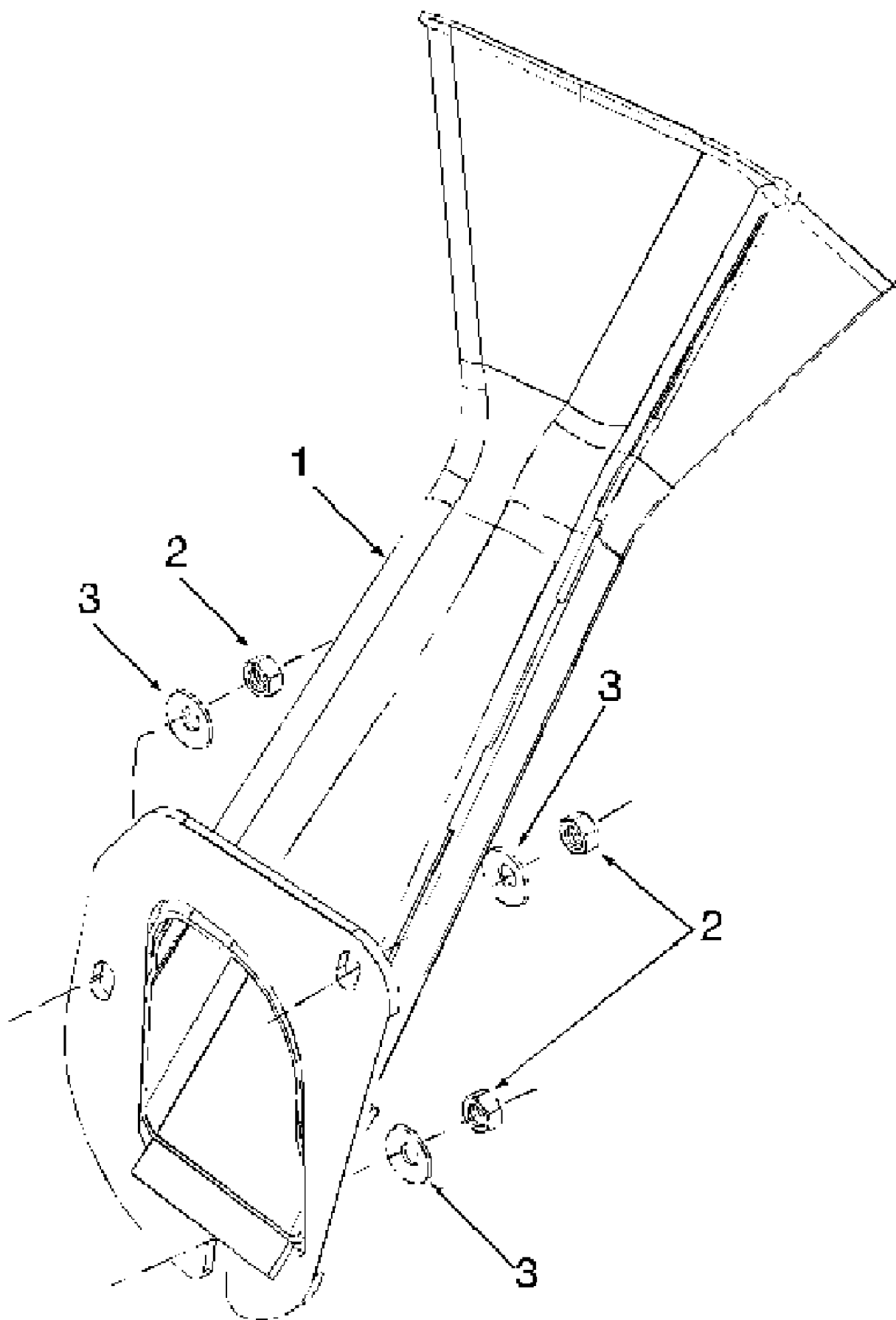
Ref #	Part Number	Qty	S/P/F	Description
1	681-0087-0662	1		Bracket Assembly, Front Wheel
2	710-0604	1	S	Screw, Hex Wash. Hd. Tapp, 5/16-18 x .62
3	714-0104	1	S	Pin, Internal Cotter
4	726-0214	1	/P	Cap, Push, 5/8
5	732-0306	1	S	Spring, Compression
6	736-0264	1	S	Washer, Flat, .330 x .630 x .06
7	736-0366	1	/P	Washer, Flat, .64 x 1.12 x .12
8	737-3000	1	S	Fitting, Lube, 3/16
9	741-0487A	1	S	Bearing, Flange, .632 ID
10	747-0924	1		Pin, Front Wheel Lock
11	736-0931	1	/P	Washer, Flat, .203 ID x .403 OD .040



24A-203B190 Yard Boss 550 (1998)
Chain Case LH/RH

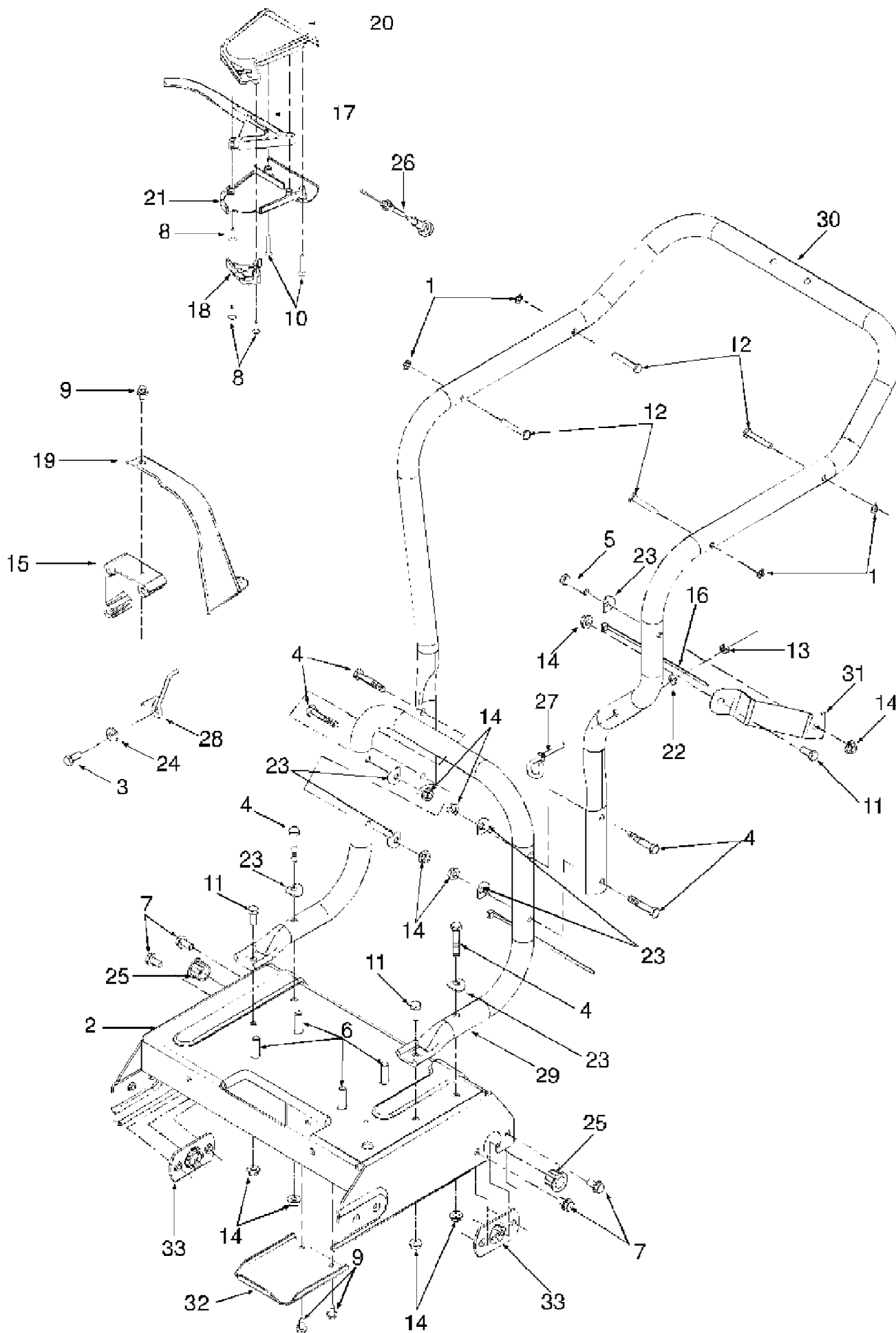
Page 4 of 20

Ref #	Part Number	Qty	S/P/F	Description
1	781-0677-0498	1		Chain Case LH
2	781-0676-0498	1		Chain Case RH
3	754-0457	1	S	V-Belt, 3/8 x 24.68
4	748-0313	1		Spacer, .630 x 1.25 x .29
5	741-0413	1	S	Bearing, Hex Flange, .631 ID
6	737-0223	1	S	Grease, Benalene
7	736-0336	1	S	Washer, Flat, 5/8 x 1.0
8	713-0422	1	S	Chain, Endless, #41 x 50 Lnks
9	710-0896	1	/P	Screw, Hex Wash Hd, 1/4-14 x .625
10	710-0603	1	/P	Screw, Hex Wash Hd Tapp 5/16-18 x .50
11	618-0256	1		Complete Transmission Ass'y (See Breakdown Above)
12	611-0063	1		Shaft Assembly, Axle



24A-203B190 Yard Boss 550 (1998)
Chute Assembly

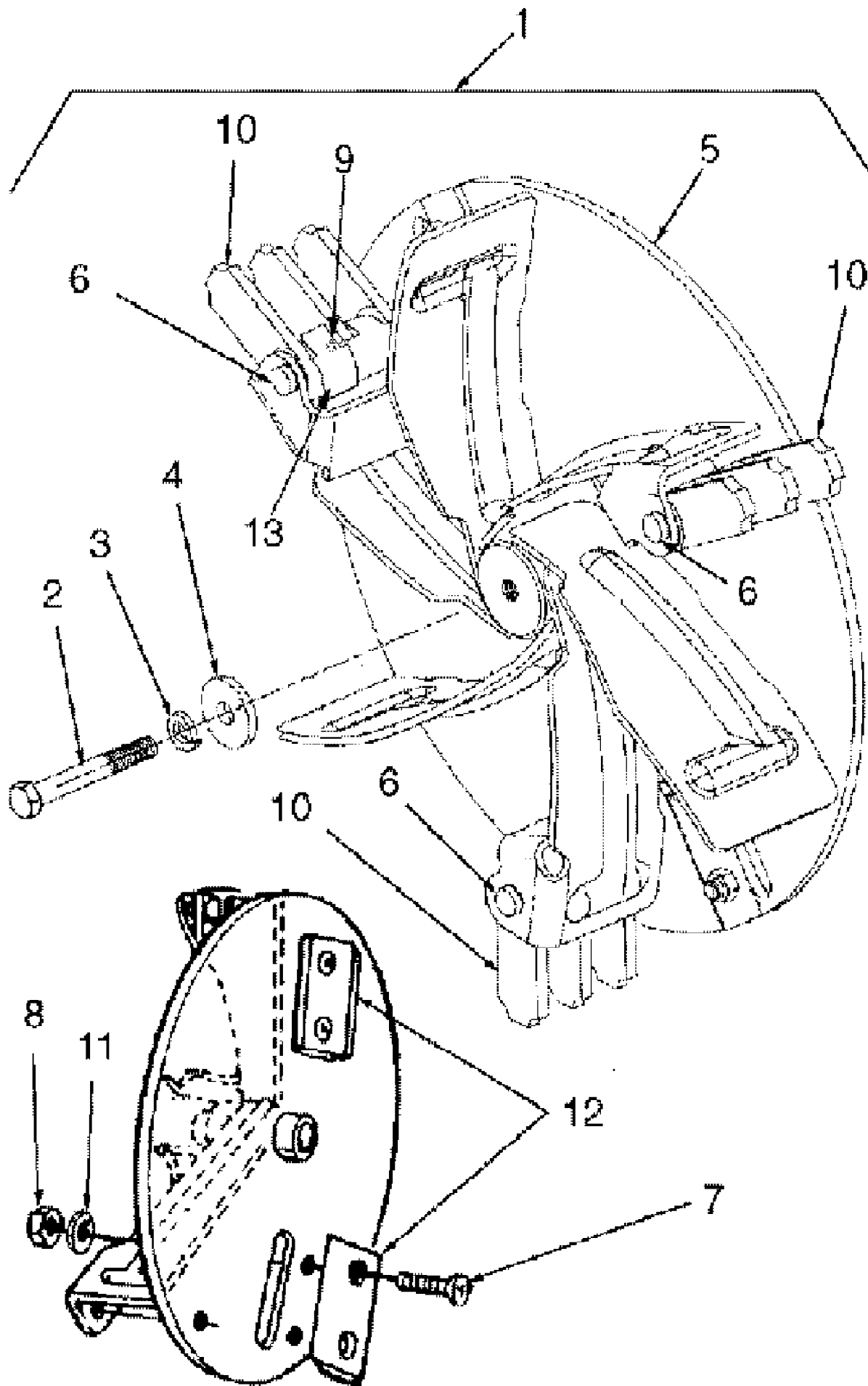
Ref #	Part Number	Qty	S/P/F	Description
1	681-0095-0662	1		Chute Assembly, Chipper
2	712-3010	1	S	Nut, Hex, 5/16-18
3	736-0242	1	/P	Washer, Bell, .345 x .88 x .06



24A-203B190 Yard Boss 550 (1998)
Frame Assembly

Page 8 of 20

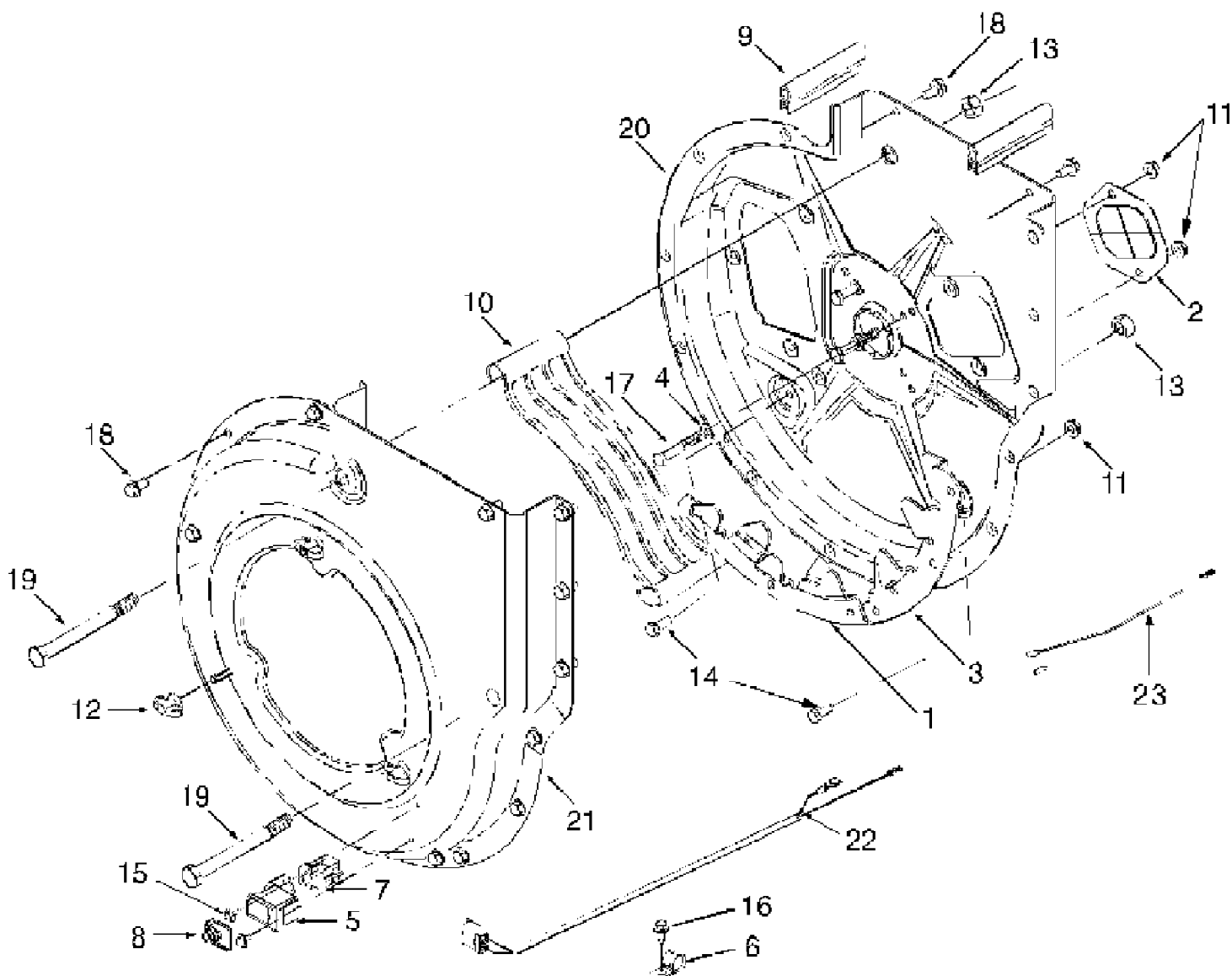
Ref #	Part Number	Qty	S/P/F	Description
1	1539-019	1		Nut, Push, .25
2	681-0097A-0662	1		Frame Assembly
3	710-0157	1	/P	Screw, Hex Cap, 5/16-24 x .75 GR5
4	710-0380	1	S	Screw, Hex Cap, 5/16-18 x 1.75
5	710-0442	1	S	Screw, Hex Cap, 5/16-18 x 1.5
6	710-0502A	1	/P	Screw, Hex Wash Hd Tapp, 3/8-16 x 1.25
7	710-0604	1	S	Screw, Hex Wash Hd Tapp, 5/16-18 x .62
8	710-0841	1	/P	Screw, Phil Cntrsnsk, #10-12 x .75
9	710-0896	1	/P	Screw, Hex Wash Hd, 1/4-14 x .62
10	710-1331	1		Screw, Phil Cntrsnsk, #10-16 x 1.25
11	710-3008	1	/P	Screw, Hex Cap, 5/15-18 x .75 GR5
12	711-0737	1	S	Pin, Stud, .250 x 1.75
13	712-0138	1	S	Nut, Hex, 1/4-28
14	712-3004A	1	/P	Nut, Hex Flange Lock, 5/16-18 GR5
15	719-0359	1		Adapter, Engine Mtg
16	725-0157	1	/P	Cable Tie
17	731-0620	1	S	Lever, Drive Control
18	731-1059	1	S	Cap, Cable Mtg
19	731-1646	1		Belt Cover
20	731-1735	1	S	Upper Clutch Cover
21	731-1736	1		Lower Clutch Cover
22	736-0329	1	S	Washer, Lock, 1/4
23	736-0451	1	S	Saddle Washer, .320 x .93
24	736-3008	1	S	Washer, Flat, .344 x .75 x .12
25	741-0413	1	S	Bearing, Flange, .631 ID x .72 OD
26	746-0714	1	S	Cable, Clutch, 56.0
27	747-0815	1		Eye Bolt
28	747-0929A	1		Belt Keeper
29	749-0980-0662	1		Handle, Lower
30	749-0996-0662	1		Handle, Upper
31	781-0647-0662	1		Bracket, Chute Stabilizing
32	781-0697-0662	1	S	Transmission Cover
33	781-0700	1	S	Bracket, Axle



24A-203B190 Yard Boss 550 (1998)
Impeller Assembly

Page 10 of 20

Ref #	Part Number	Qty	S/P/F	Description
1	681-0051	1	S	Impeller Ass'y, Complete (For model 500)
	681-0108	1	S	Impeller Ass'y, Complete (For model 550) Includes Ref. Nos. 5 thru 13
2	710-1273	1		Screw, Hex Cap, 3/8-24 x 2.75 GR5
3	736-0217	1	S	Washer, Lock, 3/8 Heavy Duty
4	736-0247	1	/P	Washer, Flat, .406 x 1-1/4 HD
5	681-0052	1	S	Impeller Assembly (For model 500)
	681-0107	1	S	Impeller Assembly (For model 550)
6	711-0833B	1	S	Pin, Clevis
7	710-1054	1	/P	Screw, Flat Hd. Cap, 5/16-24 x 1.0
8	712-0411	1	S	Nut, Hex Insert Lock, 5/16-24
9	715-0166	1		Pin, Spirol, .156 x 1.000 Std.
10	719-0329	1		Blade, Flail
11	736-0119	1	S	Washer, Lock, 5/16
12	781-0490	1	S	Blade, Chipper
13	781-0735	1		Clip, Retainer



24A-203B190 Yard Boss 550 (1998)
Inner/Outer Flail Housing Assembly

Page 12 of 20

Ref #	Part Number	Qty	S/P/F	Description
1	781-0653	1	S	Blade, Flail Housing
2	781-0627	1		Cover, Chipper Blade
3	781-0599	1	S	Blade, Upper Shredder
4	736-0119	1	S	Washer, Lock, 5/16
5	731-1613	1	S	Cover, Safety Switch Mtg
6	726-0272	1	/P	Clamp
7	725-3166	1	S	Switch, Snap Mount
8	725-1700	1	S	Cover, Switch
9	723-0438	1		Rubber Seal
10	719-0326	1		Screen, Discharge
11	712-3004A	1	/P	Nut, Hex Flange Lock, 5/16-18
12	712-0421	1		Knob, 5/16-18
13	712-0384	1	S	Nut, Hex Center Lock, 1/2-13
14	710-3008	1	/P	Screw, Hex Cap, 5/16-18 x .75 GR5
15	710-1268	1	/P	Screw, Wash Hd Tapp #10-16
16	710-0896	1	/P	Screw, Wash Hd Tapp 1/4-141
17	710-0772	1	/P	Screw, Hex Cap, 5/16-18 x 2 GR5
18	710-0604	1	S	Screw, Wash Hd Tapp 5/16-18
19	710-0382	1		Screw, Hex Cap, 1/2-13 x 5.0
20	681-0098-0662	1		Housing Ass'y, Inner Flail
21	681-0060-0662	1		Housing Ass'y, Outer Flail
22	629-0241A	1	S	Harness, Wire
23	629-0698	1		Adapter, Harness

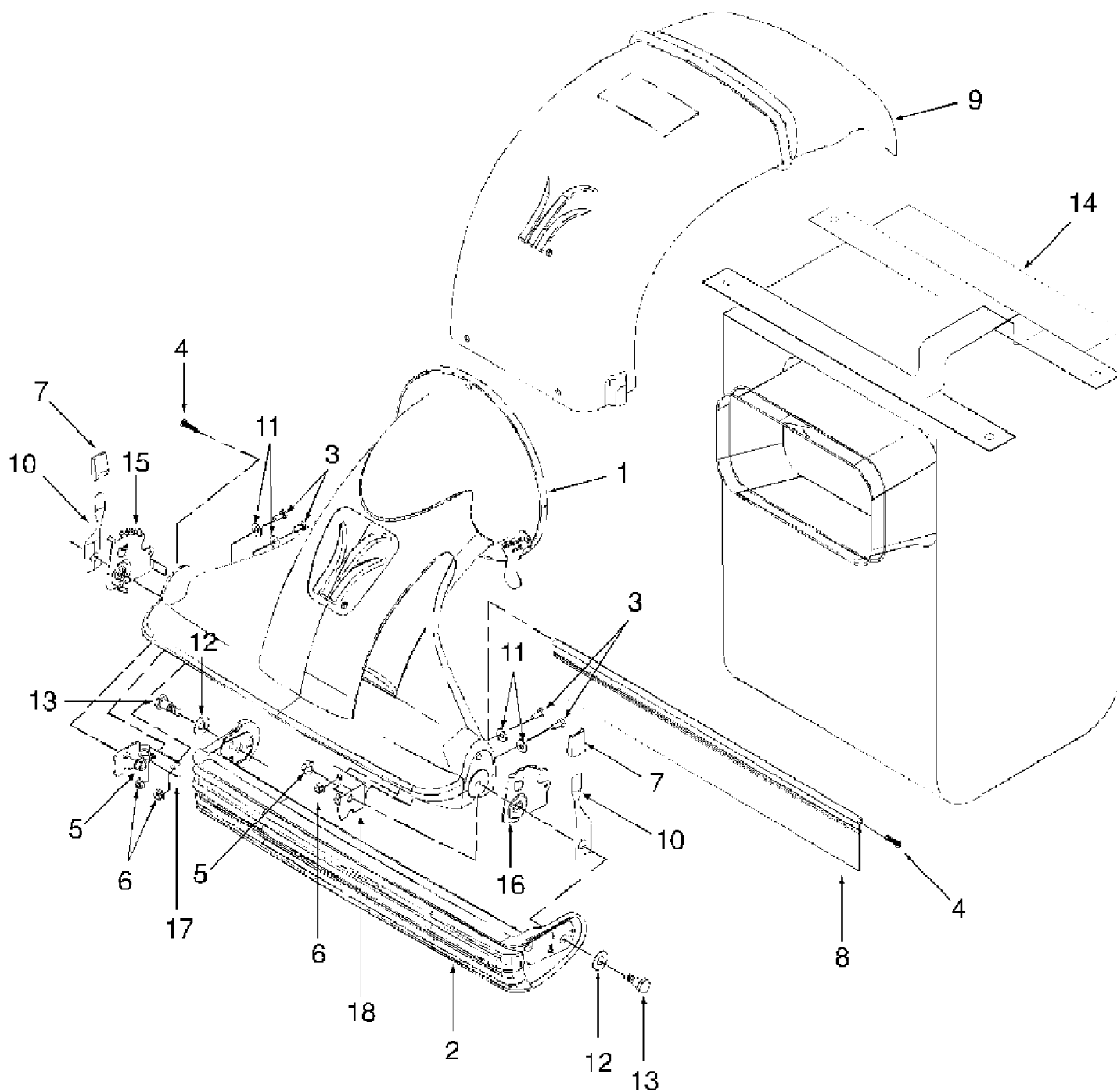
No
Diagram
Available

Parts List
Only

24A-203B190 Yard Boss 550 (1998)
Labels

Page 14 of 20

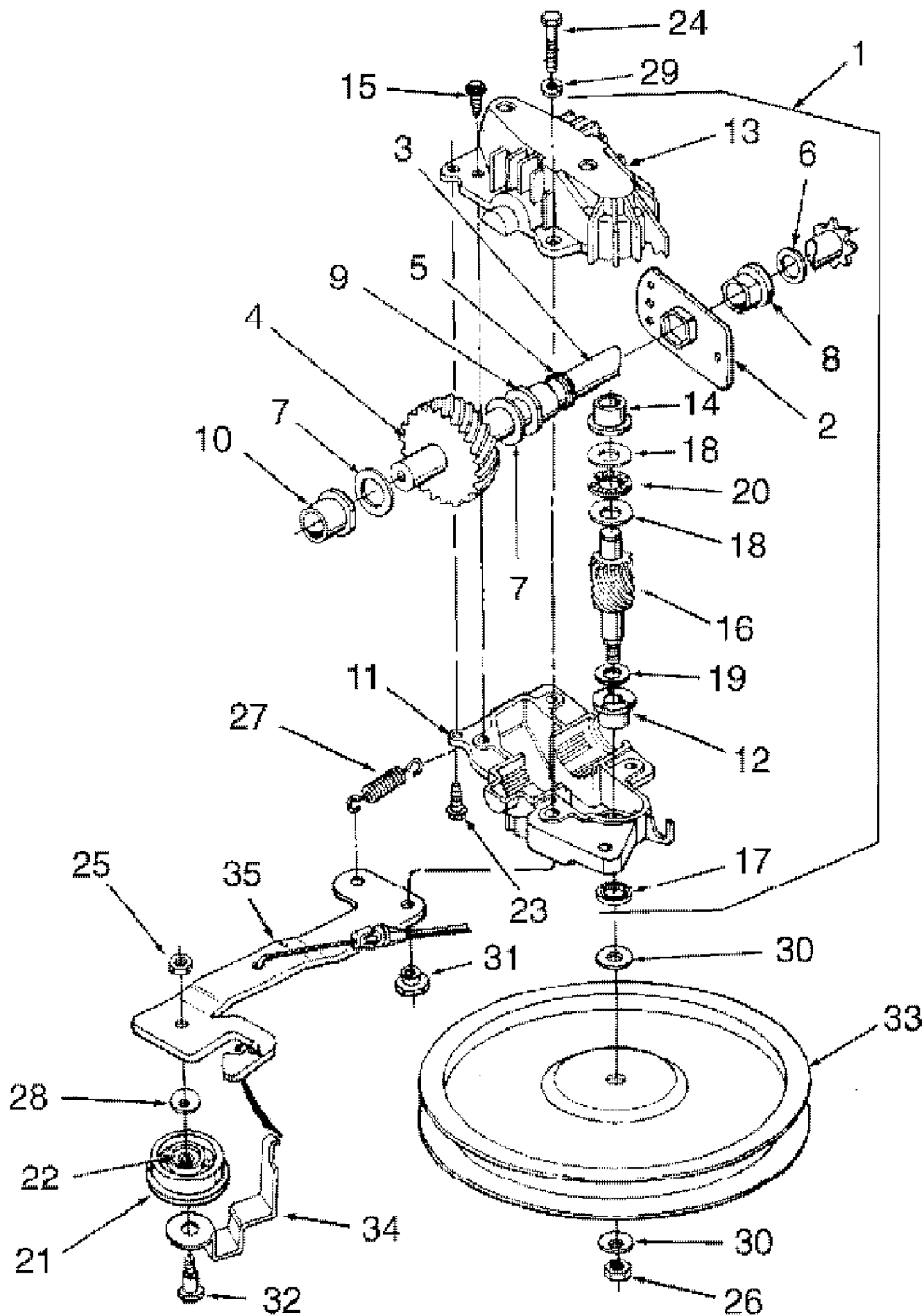
Ref #	Part Number	Qty	S/P/F	Description
	777-3147	1		Label-Warning Top Flail Housing
	777-3379	1		Label-Warning Back Flail Housing
	777-4421	1		Label-Lock Caster Wheel
	777-5201	1	S	Label-Shredder Vac Bag Caution
	777D00095	1		Label-WOP, 5.5 OHV, Back of Unit
	777D00091	1		Label-WOP 550 SP, Front Housing
	777I20071	1		Label-Self-Propelled



24A-203B190 Yard Boss 550 (1998)
Nozzle And Door Assemblies

Page 16 of 20

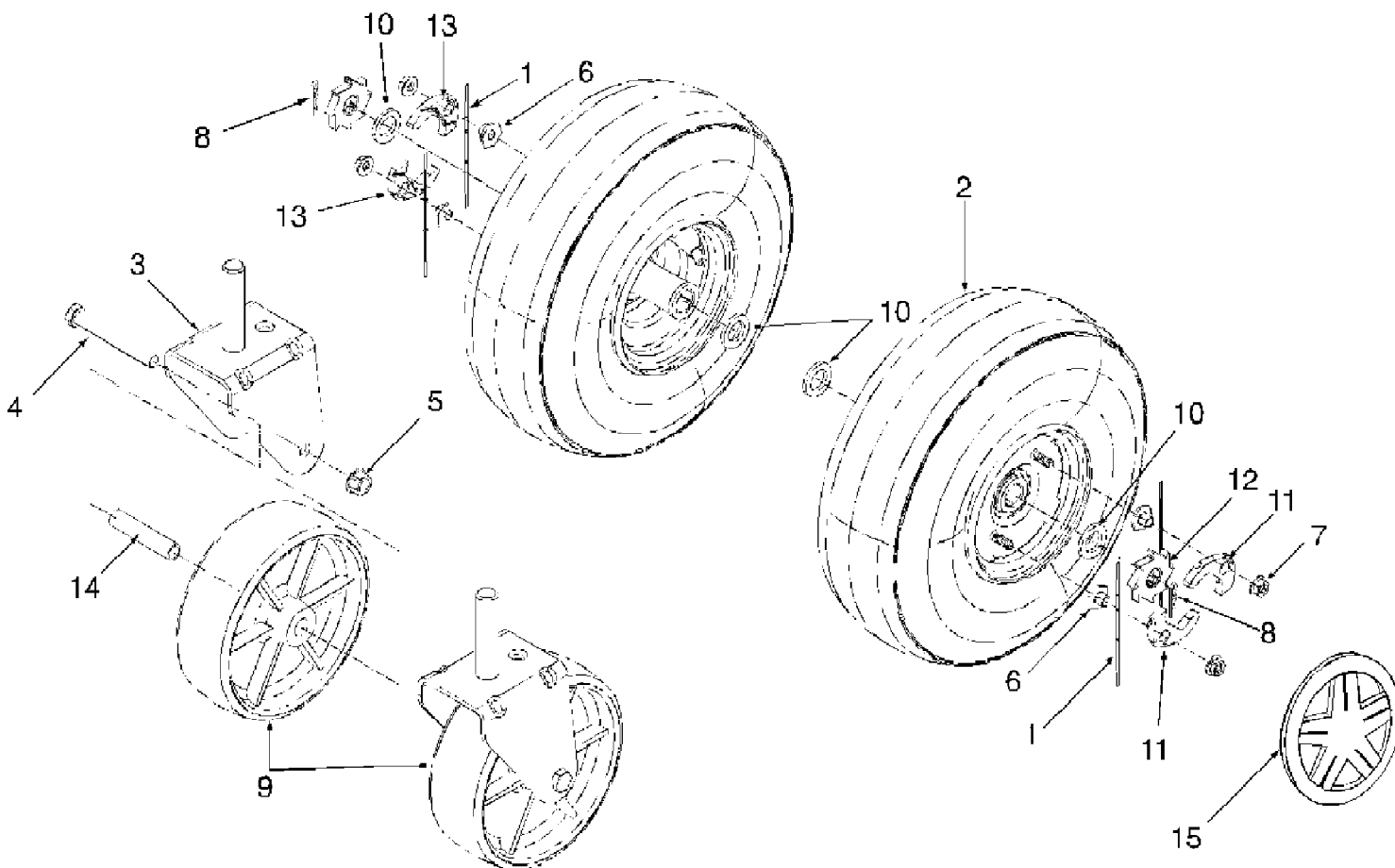
Ref #	Part Number	Qty	S/P/F	Description
1	631-0048	1	S	Nozzle Assembly, Black
2	631-0049	1		Door Assembly, Black
3	710-0258	1	S	Screw, Hex Cap, 1/4-20 x .625
4	710-0969	1	/P	Screw, Truss Hd Tapp
5	712-0431	1	S	Nut, Hex Flange Lock, 3/8-16
6	712-3027	1	S	Nut, Hex Flange Lock, 1/4-20
7	720-0190	1	S	Knob, Height Adj.
8	731-1831	1		Flap, Nozzle Rear
9	731-1838	1	S	Discharge Chute
10	732-0754	1		Spring Lever
11	736-0173	1	/P	Washer, Flat, .28 x .74 x .06
12	736-3084	1	/P	Washer, Flat, .510 x 1.20 x .060
13	738-0913	1	S	Screw, Shoulder, .50 x .545 x 3/8-16
14	764-0493	1	S	Bag, 3 Bushel
15	781-0702	1	S	Bracket, Door Index RH
16	781-0703	1	S	Bracket, Door Index LH
17	781-0704	1	S	Bracket, Nozzle Reinforcement RH
18	781-0705	1	S	Bracket, Nozzle Reinforcement LH



24A-203B190 Yard Boss 550 (1998)
Transmission Assembly Complete

Page 18 of 20

Ref #	Part Number	Qty	S/P/F	Description
1	618-0255	1	S	Transmission Assembly, Complete (Includes Ref. Nos. 2 thru 20)
2	16500A	1	S	Hex Bearing Cup
3	711-1118	1	S	Shaft, Output w/6T Sprocket
4	717-1432	1		Gear, Helical 34T
5	721-0213	1	/P	Seal, Oil, .625 x .812
6	736-0187	1	/P	Washer, Flat, .64 x 1.24 x .06 HD
7	736-0336	1	S	Washer, Flat, 5/8 x 1.0
8	741-0413	1	S	Bearing, Hex Flange, .631 ID
9	741-0414	1		Bearing, Flange, .629 ID
10	741-0415	1	S	Bearing, Flange, .566 ID
11	719-0325	1		Housing, Lower
12	748-0373	1		Bearing, Flange, .503 ID
13	719-0324A	1		Housing, Upper
14	748-0208A	1	/P	Bearing, Flange, .378 ID
15	710-0589	1	/P	Screw, Hex Tapp, #10-16 x .75
16	717-1433	1		Shaft, Pinion 10T
17	721-0329	1	S	Seal, Oil, .50 x .687
18	736-0314	1	S	Washer, Thrust, .382 x .684
19	736-0520	1	S	Washer, Flat, .504 x .70 x .030
20	741-0479	1		Bearing, Thrust, .375 x .812
21	656-0008	1	S	Pulley Ass'y, Idler w/Bearing, Includes Ref. No. 22
22	741-0556	1	S	Bearing, Needle, .375 x .375
23	710-0589	1	/P	Screw, Hex Tapp, #10-16 x .75
24	710-1062	1		Screw, Hex w/Patch, 1/4-20 x 1.25
25	712-0138	1	S	Nut, Hex, 1/4-28
26	712-3045	1	S	Nut, Hex Jam, 5/16-24 L.H. Thd
27	732-0357A	1	S	Spring, Extension, 1.12 Lg
28	736-0270	1	/P	Washer, Bell, .265 x .75 x .06
29	736-0329	1	S	Washer, Lock, 1/4
30	736-0425	1	S	Washer, Bell, .325 x .930 x .045
31	738-0440	1		Shoulder Spacer, .375 x .165
32	738-0826	1	S	Shoulder Bolt, 1/4-28 x .375
33	756-0618	1	S	Pulley, Flat, 5.06 Dia
34	782-7569	1		Belt Keeper
35	782-7570	1	S	Bracket, Idler



24A-203B190 Yard Boss 550 (1998)
Wheel And Ratchet Rim Assemblies

Page 20 of 20

Ref #	Part Number	Qty	S/P/F	Description
1	10622B	1	S	Spring, Plastic Ratchet
2	634-0136	1	S	Wheel Assembly, Complete
	634-0129-0662	1		Ratchet Rim Ass'y, Complete
	734-0210	1	S	Tire, Pneumatic, 10 x 4
	734-0255	1	S	Valve, Tubeless Air
	741-0487A	1	S	Bearing, Flange, .632 ID
3	681-0088-0662	1		Bracket Assembly, Pivot Wheel
4	710-0194	1	/P	Screw, Hex Cap, 3/8-16 x 3.0
5	712-0431	1	S	Nut, Hex Flange Lock, 3/8-16
6	712-0456	1	S	Nut, Special Hex 1/4-20
7	712-3027	1	S	Nut, Hex Flange Lock, 1/4-20
8	714-0104	1	S	Pin, Internal Cotter
9	734-1804	1	S	Wheel, 6.00 x 2.00
10	736-0366	1	/P	Washer, Flat, .64 x 1.12 x .12
11	748-0188B	1	S	Pawl, LH .345 ID
12	748-0405	1		Ratchet, Wheel, .5 Serr ID x 1.62
13	748-0381	1		Pawl, RH .345 ID
14	750-1042	1		Spacer, .384 ID x .5 OD x 2.3 Lg
15	731-1851	1		Hubcap, 4.0 Gray